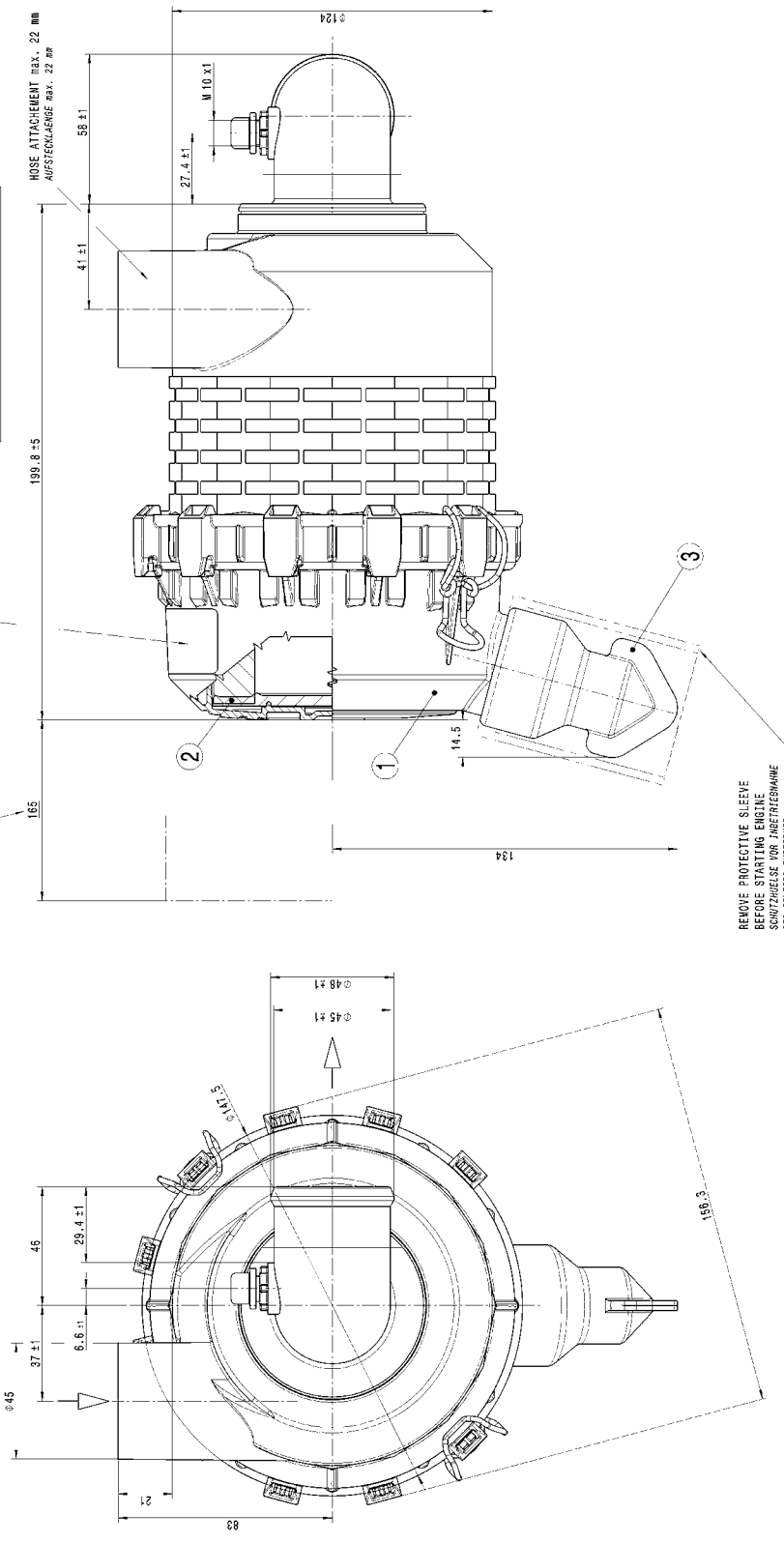


NO. DR. / NO. ZJ	DATE	BRAND	CHECK	APP.
45 058 92 910	12.01.2011	PPH	PPH	PPH
DESCRIPTION OF CHANGE	APPROVING			

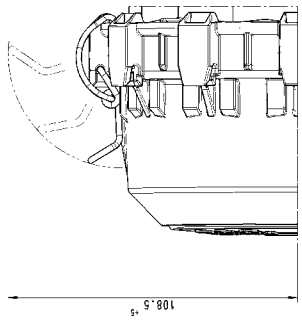
45 058 92 910
C 10 050

M-H IDENTIFICATION LABEL
M-H TYPENMARKIERUNG

REMOVAL CLEARANCE FOR FILTER
AUSBAUERE FREIHALTLÄNGE



REMOVE PROTECTIVE SLEEVE
BEFORE STARTING ENGINE
SCHUTZHEISE VOR ANBERTREIBUNG
DES FILTERS ENTFERNEN



STUTZENLAGE "A" ZU VENTILAGE "B" IN 30° SCHRITTEN RAUSTBAR
GERÄT FUER STEHENDE UND LIEGENDE EINBAU
STAUB-AUSTRAGSÖFFNUNG UNTEN

FILTER INTAKE "A" TO POSITION OF VALVE "B" LOCKABLE IN STEPS OF 30°
UNIT FOR STANDING AND LYING INSTALLATION
DUST OUTLET IN BOTTOM POSITION

3	DUST DISCHARGE VALVE	38 000 40 399
2	FILTER ELEMENT	C 10 050
1	HOUSING BOTTOM COMPLETE	45 050 17 909
RES. NO.	REVISIONS	PART NO.
45 058 92 910		45 058 92 910

HOUSING PPH, BLACK
GERÄTGE PPH, SCHWARZ

CUSTOMER NOTICES / ANWISUNGEN
Eibasser Filtertechnik GmbH

SALES REGION / VERKAUFSBEZ.
EUROPTOLON

CUSTOMER DRAWING
ANBESTELLZEICHNUNG

REFER TO PROTECTION NOTICE FOR INFORMATION ON THE REPRODUCTION, DISTRIBUTION AND UTILIZATION OF THIS DOCUMENT. THE REPRODUCTION AND UTILIZATION OF THIS DOCUMENT IS PROHIBITED WITHOUT THE WRITTEN PERMISSION OF EIBASSER FILTERTECHNIK GMBH. THE REPRODUCTION AND UTILIZATION OF THIS DOCUMENT IS PROHIBITED WITHOUT THE WRITTEN PERMISSION OF EIBASSER FILTERTECHNIK GMBH.

PROJ. NO. / PROJ. NO.	PROJ. NAME / PROJ. NAME	PROJ. DATE / PROJ. DATE
38 000 40 399	C 10 050	45 050 17 909
DATE / DATE	VERSION / VERSION	SCALE / SCALE
12.01.2011	1.0	1:1
DESIGNER / DESIGNER	CHECKER / CHECKER	DATE / DATE
PPH	PPH	12.01.2011
APP. / APP.	DATE / DATE	SCALE / SCALE
PPH	12.01.2011	1:1
DATE / DATE	SCALE / SCALE	SCALE / SCALE
12.01.2011	1:1	1:1

DATE / DATE	BRAND	CHECK	APP.
12.01.2011	PPH	PPH	PPH
DESCRIPTION OF CHANGE	APPROVING		

PROJ. NO. / PROJ. NO.	PROJ. NAME / PROJ. NAME	PROJ. DATE / PROJ. DATE
38 000 40 399	C 10 050	45 050 17 909
DATE / DATE	VERSION / VERSION	SCALE / SCALE
12.01.2011	1.0	1:1
DESIGNER / DESIGNER	CHECKER / CHECKER	DATE / DATE
PPH	PPH	12.01.2011
APP. / APP.	DATE / DATE	SCALE / SCALE
PPH	12.01.2011	1:1
DATE / DATE	SCALE / SCALE	SCALE / SCALE
12.01.2011	1:1	1:1

PROJ. NO. / PROJ. NO.	PROJ. NAME / PROJ. NAME	PROJ. DATE / PROJ. DATE
38 000 40 399	C 10 050	45 050 17 909
DATE / DATE	VERSION / VERSION	SCALE / SCALE
12.01.2011	1.0	1:1
DESIGNER / DESIGNER	CHECKER / CHECKER	DATE / DATE
PPH	PPH	12.01.2011
APP. / APP.	DATE / DATE	SCALE / SCALE
PPH	12.01.2011	1:1
DATE / DATE	SCALE / SCALE	SCALE / SCALE
12.01.2011	1:1	1:1

PROJ. NO. / PROJ. NO.	PROJ. NAME / PROJ. NAME	PROJ. DATE / PROJ. DATE
38 000 40 399	C 10 050	45 050 17 909
DATE / DATE	VERSION / VERSION	SCALE / SCALE
12.01.2011	1.0	1:1
DESIGNER / DESIGNER	CHECKER / CHECKER	DATE / DATE
PPH	PPH	12.01.2011
APP. / APP.	DATE / DATE	SCALE / SCALE
PPH	12.01.2011	1:1
DATE / DATE	SCALE / SCALE	SCALE / SCALE
12.01.2011	1:1	1:1