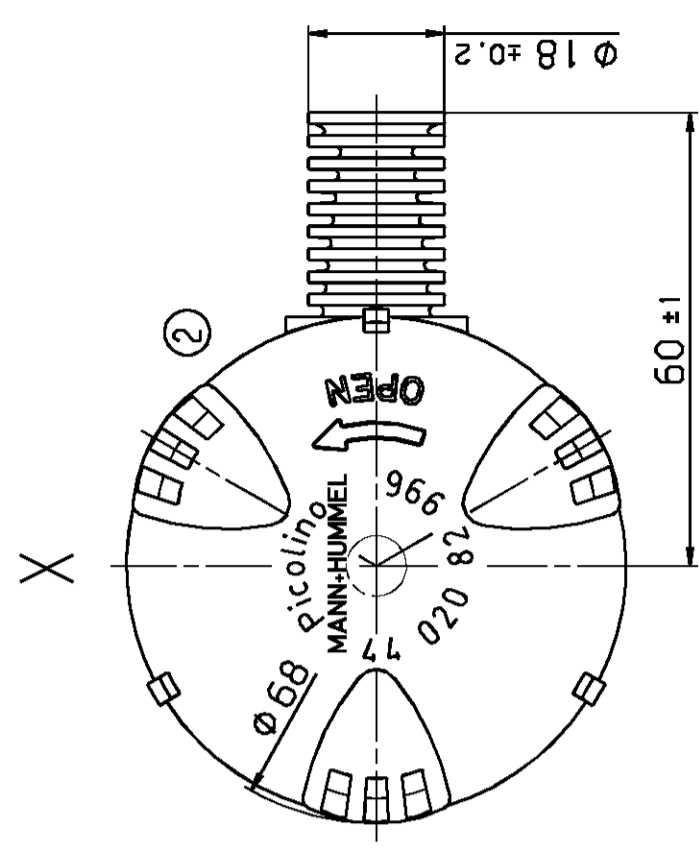
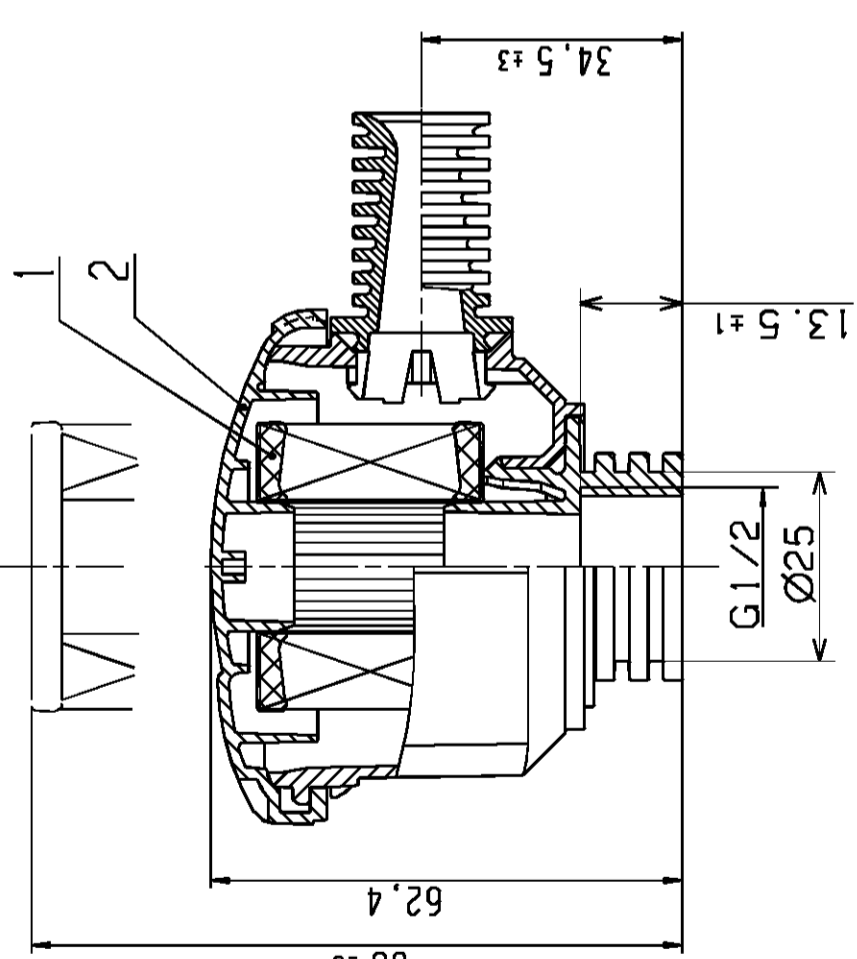


AE -M. NO. CH. -NO.	RENDERUNG DESCRIPTION OF CHANGE	DATUM DATE	BEARB. DRAWN	GEPR. CHECK.	GESEH. APP.
02 R49006	NEUES M+H LOGO / NEW M+H LOGO	06.02.06	HERRMANN	GRUBER	

AUSBAUHOEHE ELEMENT
REMOVAL CLEARANCE



ANZUGSMOMENT NACH
WARTUNGSANLEITUNG
TIGHTENING TORQUE
ACC. MANUAL

WERKSTOFF: PA6 GF, SCHWARZ
MATERIAL: PA6 GF, BLACK

KUNDENWERKE / CUSTOMER NOTICES
Elsässer Industrietechnik GmbH

ISO 128

ISO 128

VERKSTUECKKANTEN
WORKPIECE EDGES
NACH/ ACCORD. TO ISO 13715
MASSE OHNE TOLERANZANGABEN:
DIM. WITHOUT TOLERANCES:

LAENGEN LENGTHS	± 2
RADIEN RADII	± --
FASEN CHAMFERS	± --
WINKEL ANGLE	± --
PROGRAMM-NR. / PROGRAM-NO.	

ANGEBOTSZEICHNUNG
CUSTOMER DRAWING

SCHUTZVERMERK ISO 16016 BEACHTEN / REFER TO PROTECTION NOTICE ISO 16016
THE REPRODUCTION, DISTRIBUTION AND UTILIZATION OF THIS DOCUMENT AS WELL AS THE COMMUNICATION OF ITS CONTENTS TO OTHERS WITHOUT EXPLICIT AUTHORIZATION IS PROHIBITED. OFFENDERS WILL BE HELD LIABLE FOR THE PAYMENT OF DAMAGES. ALL RIGHTS RESERVED IN THE EVENT OF THE GRANT OF A PATENT, UTILITY MODEL OR DESIGN.

BENENNUNG / NAME

MANN
PICOLINO
PICOLINO

ZEICHNUNGS-NR.
DRAWING-NO.

44 020 82 996 02

MANN+HUMMEL GMBH
D-71631 LUDWIGSBURG

AEHNLICH / SIMILAR

ERSATZ FUER / SUBSTITUTE FOR

A3

2	DECKEL COVER	44 020 17 109		
1	FILTERELEMENT FILTER ELEMENT	C 420		
POS. POS.	BENENNUNG NAME	BESTELL-NR. PART-NO.	FREMD-NR. CUSTOMER-NO.	
ERSATZTEILLISTE / SPARE PARTS LIST				