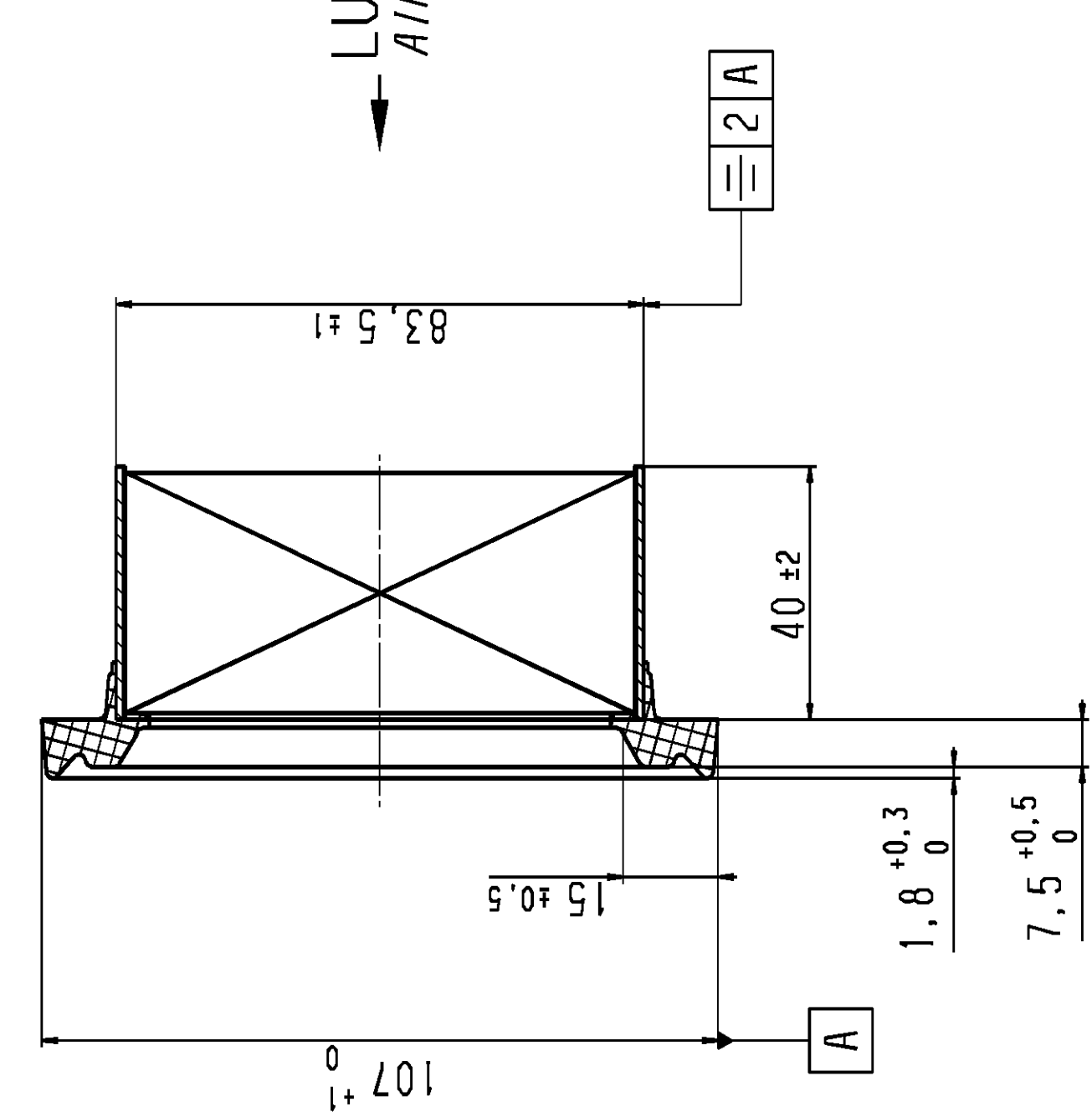
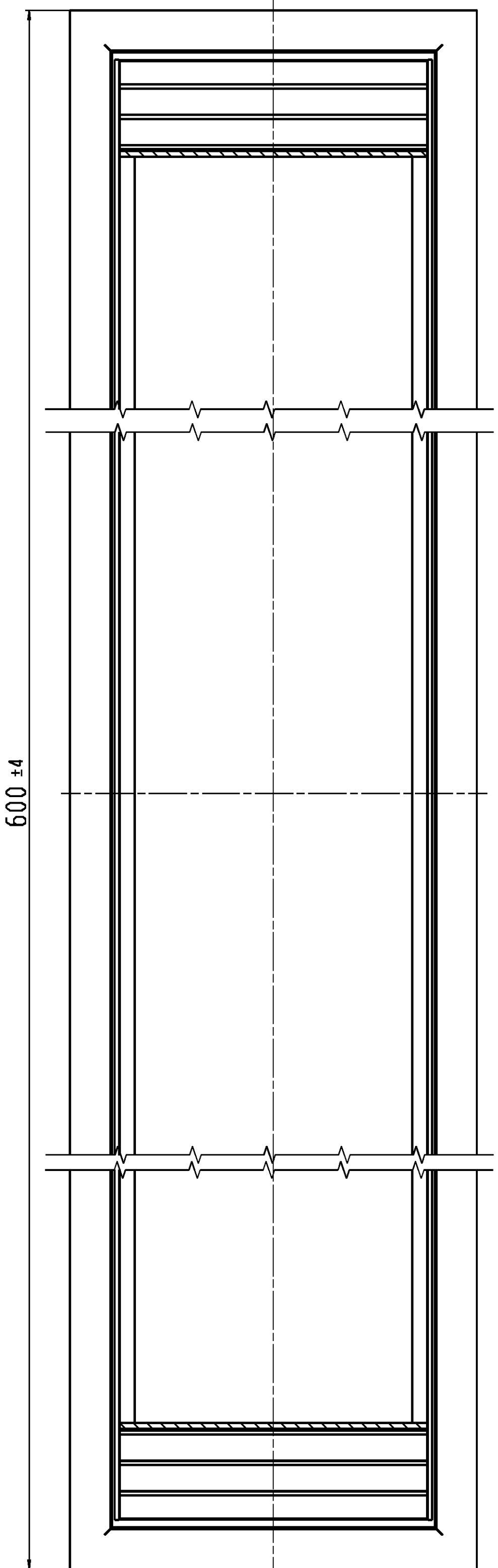
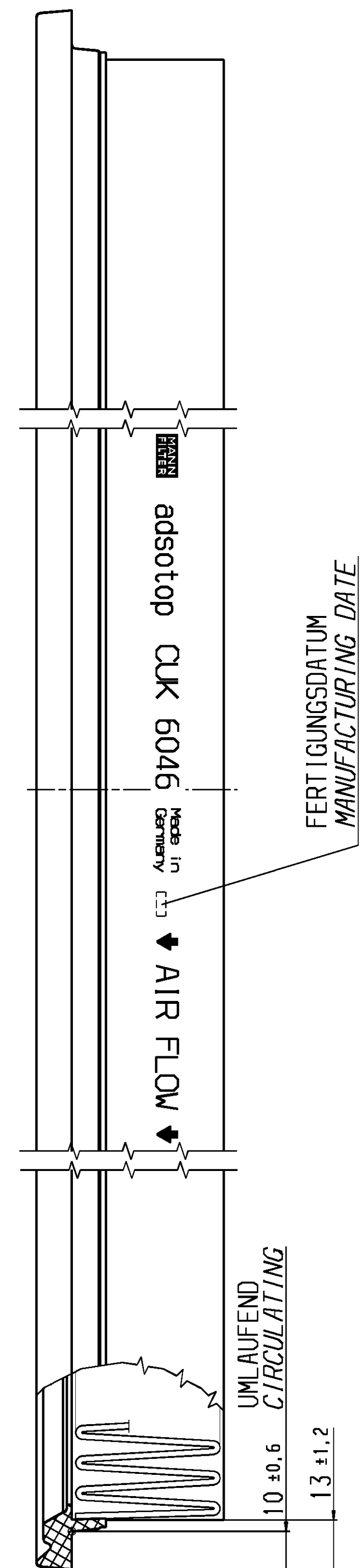


AE AE.-N. NO. CH.-NO. 12  
 BEARB. DATE 13  
 DATUM DATE 14  
 GEPR. CHECK. 15  
 GESEH. APP. 16



LUFSTROM  
 AIR FLOW DIRECTION



FERTIGUNGSDATUM  
 MANUFACTURING DATE

FORM- UND LAGE TOLERANZEN TOLERANCES OF FORM AND POSITION NACH/ ACCORDING TO ISO 1101		ANGEBOTSZEICHNUNG CUSTOMER DRAWING	
OBERFLÄCHEN- / BOBACES NACH/ ACCORDING TO ISO 1302		SCHUTZMERK ISO 16016 BEACHTEN / REFER TO PROTECTION NOTICE ISO 16016	
KANTENSTÜCKEN / EDGES NACH/ ACCORDING TO DIN 6704		THE REPRODUCTION, DISTRIBUTION AND UTILIZATION OF THIS DOCUMENT AS WELL AS THE COMMUNICATION OF ITS CONTENTS TO OTHERS WITHOUT EXPLICIT AUTHORIZATION IS PROHIBITED. OFFENDERS WILL BE HELD LIABLE FOR THE PAYMENT OF DAMAGES. ALL RIGHTS RESERVED IN THE EVENT OF THE GRANT OF A PATENT, UTILITY MODEL OR DESIGN.	
MASSE OHNE TOLERANZANGABEN: DIM. WITHOUT TOLERANCES:		DISTRIBUTION AND UTILIZATION OF THIS DOCUMENT AS WELL AS THE COMMUNICATION OF ITS CONTENTS TO OTHERS WITHOUT EXPLICIT AUTHORIZATION IS PROHIBITED. OFFENDERS WILL BE HELD LIABLE FOR THE PAYMENT OF DAMAGES. ALL RIGHTS RESERVED IN THE EVENT OF THE GRANT OF A PATENT, UTILITY MODEL OR DESIGN.	
LÄNGEN LENGTHS	± -	DATUM / DEPT. DATE	BENENNUNG / NAME
RÄDIIEN RADI	± -	12.03.03	ALEXIK
FÄSSEN CHAMFERS	± -	21.03.03	LAMPERT
WINKEL ANGLE	± -	28.03.03	LUKA
PROGRAMM-NR. / PROGRAM-NO.	-	FILTERTERK MANN+HUMMEL GRBH MANNESMANN-DRUCK-TECHNUNG D-71631 LUOVIGSBURG	
CAD-ZEICHNUNG CAD-DRAWING	-	ERSATZ FUER / SUBSTITUTE FOR	
POS. / NO.	1	CUK 6046	
BENENNUNG NAME	1	44 046 54 120	
BESTELL-NR. PART-NO.	1	44 046 54 120	
ERSATZTEILLISTE / SPARE PARTS LIST	1	44 046 54 120	
FREMD-NR. CUSTOMER-NO.	1	44 046 54 120	