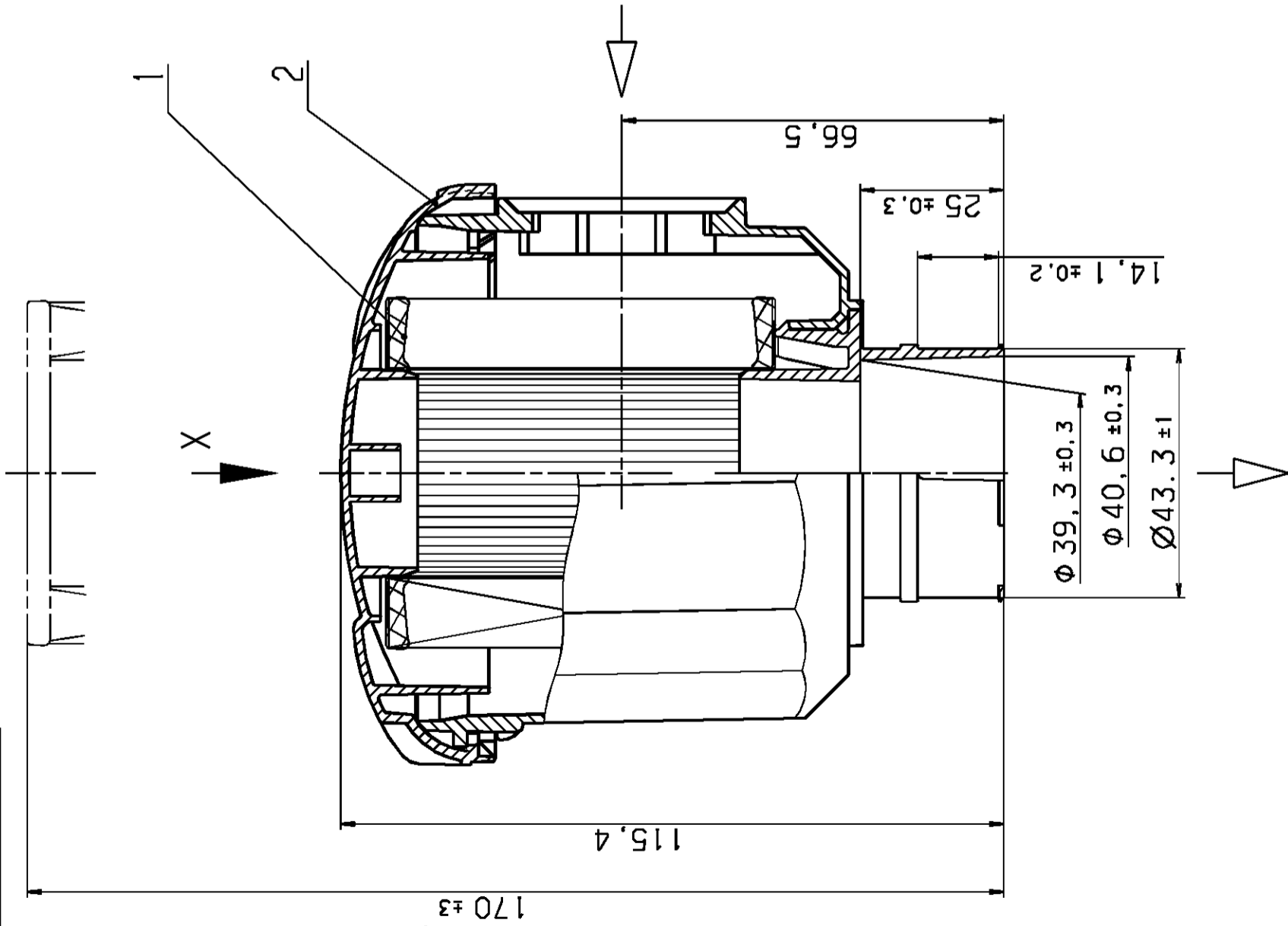
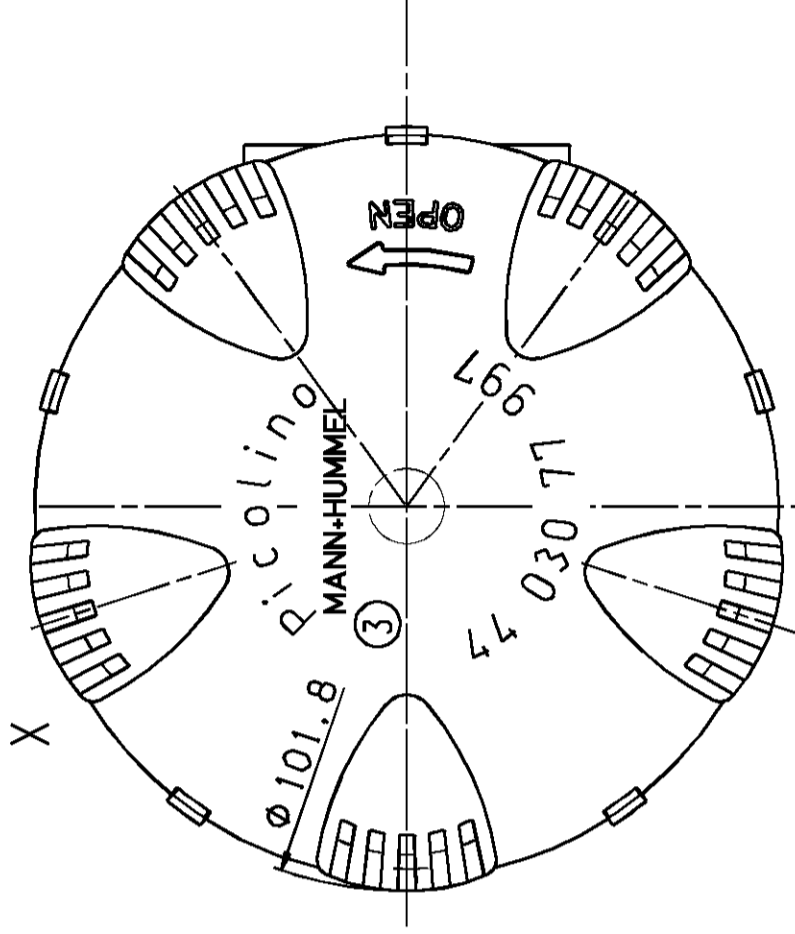


AUSBAUHOEHE ELEMENT
REMOVAL CLEARANCE



2	DECKEL COVER	44 030 17 109		
1	FILTERELEMENT FILTER ELEMENT	45 030 56 104		
POS.	BENENNUNG NAME	BESTELL-NR. PART-NO.	FREMD-NR. CUSTOMER-NO.	
	ERSATZTEILLISTE / SPARE PARTS LIST			



WERKSTOFF: PA6 GF, SCHWARZ
MATERIAL: PA6 GF, BLACK

FORM- UND LAGETOLERANZEN
TOLERANCES OF FORM AND
POSITION
NACH/ACCORD. TO ISO 1101

OBERFLÄCHEN / SURFACES
NACH/ACCORD. TO ISO 1302

WERKSTÜCKKANTEN
WORKPIECE EDGES
NACH/ACCORD. TO ISO 13715

MASSE OHNE TOLERANZANGABEN:
DIM. WITHOUT TOLERANCES:

LAENGEN LENGTHS	± 2
RADIEN RADI /	± --
FASEN CHAMFERS	± --
WINKEL ANGLE	± --
PROGRAMM-NR. / PROGRAM-NO.	

CAD-ZEICHNUNG
CAD-DRAWING

KUNDENVERMERKE / CUSTOMER NOTICES
Elsässer Industrietechnik GmbH

ISO 128



MASS-STAB
SCALE

1:1

ABT./DEPT. SI-E2	NAME NAME
BEARB./DRAWN	THEISEN
GEPR./CHECK.	
GESEH./APP.	WINTER

MANN+HUMMEL GMBH
D-71631 LUDWIGSBURG

ÄHNLICH / SIMILAR

ANGEBOTSZEICHNUNG
CUSTOMER DRAWING

SCHUTZVERMERK ISO 16016 BEACHTEN / REFER TO PROTECTION NOTICE ISO 16016
THE REPRODUCTION, DISTRIBUTION AND UTILIZATION OF THIS DOCUMENT AS WELL AS THE COMMUNICATION OF ITS CONTENTS TO OTHERS WITHOUT EXPLICIT AUTHORIZATION IS PROHIBITED. OFFENDERS WILL BE HELD LIABLE FOR THE PAYMENT OF DAMAGES. ALL RIGHTS RESERVED IN THE EVENT OF THE GRANT OF A PATENT, UTILITY MODEL OR DESIGN.

BENENNUNG / NAME

MANN
PICOLINO
ANSUGLUFTFILTER
SUCTION AIR CLEANER

ZEICHNUNGS-NR.
DRAWING-NO.

44 030 77 997

ERSATZFUER / SUBSTITUTE FOR

AE.-M. NO. CH.-NO.	RENDERUNG DESCRIPTION OF CHANGE	DATUM DATE	BEARB. DRAWN	GEPR. CHECK.	GESEH. APP.
03 E16105	NEUES M+H LOGO / NEW M+H LOGO	07.11.05	HERRMANN	GRUBER	