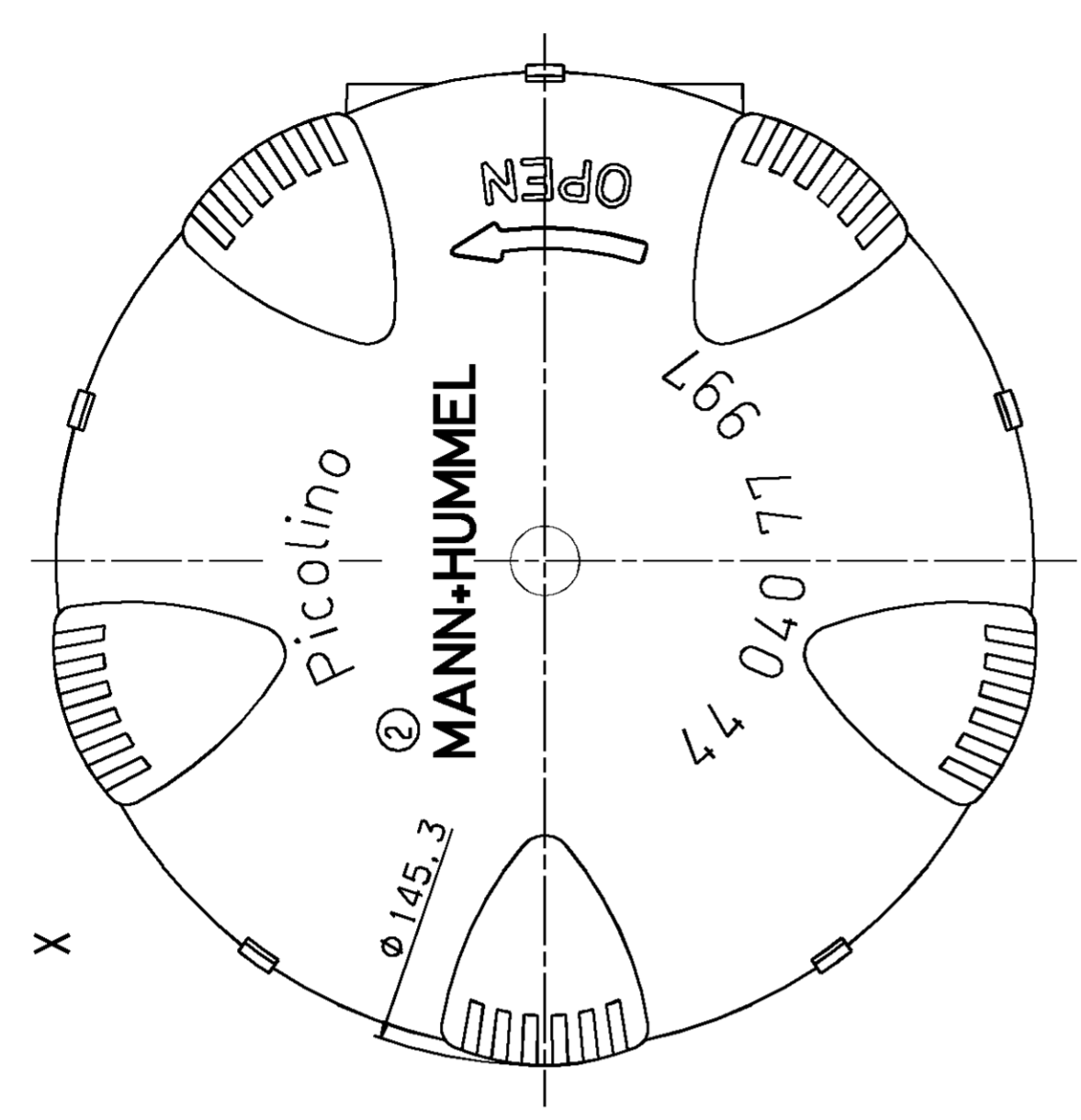
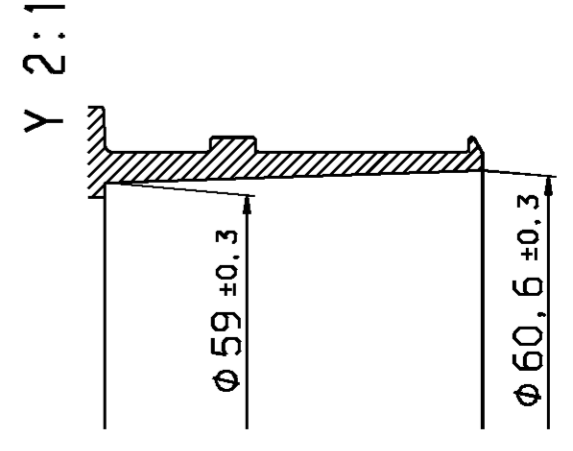
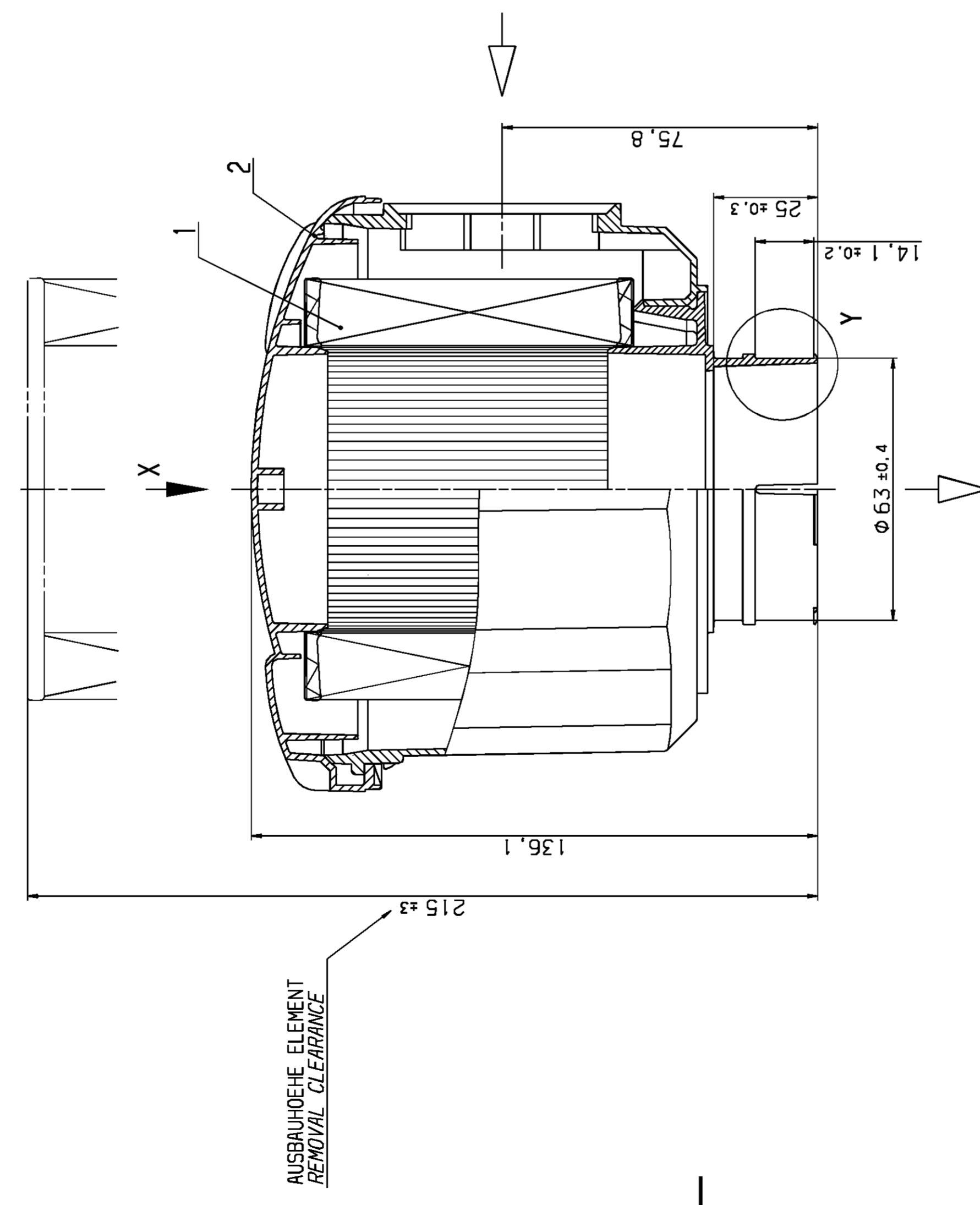


AE NO.	AE. -M. CH. -NO.	ÄNDERUNG DESCRIPTION OF CHANGE	DATUM DATE	BEARB. DRAWN	GEPR. CHECK.	GESEH. APP.
02	E16105	NEUES M+H LOGO / NEW M+H LOGO	04.11.05	HERRMANN	GRUBER	

12	11	10	9	8	7	6	5	4	3	2	1
----	----	----	---	---	---	---	---	---	---	---	---

A	B	C	D	E	F	G	H
---	---	---	---	---	---	---	---



WERKSTOFF: PA6 GF, SCHWARZ  
MATERIAL: PA6 GF, BLACK

FORM- UND LAGETOLERANZEN TOLERANCES OF FORM AND POSITION NACH/ ACCORDING TO ISO 1101		KUNDENVERMERKE / CUSTOMER NOTICES Eisässer Industrietechnik GmbH	
OBERFLÄCHEN / SURFACES NACH/ ACCORDING TO ISO 1302		ANGEBOTSZEICHNUNG CUSTOMER DRAWING	
WERKSTÜCKKANTEN WORKPIECE EDGES NACH/ ACCORDING TO ISO 13715		SCHUTZVERMERK 150 16016 BEACHTEN / REFER TO PROTECTION NOTICE 150 16016 THE REPRODUCTION, DISTRIBUTION AND UTILIZATION OF THIS DOCUMENT AS WELL AS THE COMMUNICATION OF ITS CONTENTS TO OTHERS WITHOUT EXPLICIT AUTHORIZATION IS PROHIBITED. OFFENDERS WILL BE HELD LIABLE FOR THE PAYMENT OF DAMAGES. ALL RIGHTS RESERVED IN THE EVENT OF THE GRANT OF A PATENT, UTILITY MODEL OR DESIGN.	
MASSE OHNE TOLERANZANGABEN: DIM. WITHOUT TOLERANCES:		MANN+HUMMEL D-71631 LUDWIGSBURG	
LAENGEN LENGTHS	± 2	DATUM DATE	BENENNUNG / NAME MANN
RÄDTEN RADI / I	± ---	BEARB. / DRAWN	PICOLINO
FÄSEN CHAMFERS	± ---	GEPR. / CHECK	PICOLINO
WINKEL ANGLE	± ---	GESEH. / APP.	ANSAUGLUFTFILTER SUCTION AIR CLEANER
PROGRAMM-NR. / PROGRAM-NO.		WINTER	ZEICHNUNGS-NR. DRAWING-NO.
CAD-ZEICHNUNG CAD-DRAWING			44 040 77 997
			ERSATZ FUER / SUBSTITUTE FOR
			A2

2	DECKEL COVER	44 040 17 109
1	FILTELEMENT FILTER ELEMENT	C 1140
POS. POS.	BENENNUNG NAME	ERSATZTEILLISTE / SPARE PARTS LIST
	FREMD-NR. CUSTOMER-NO.	